



Operator's Manual

Printed Matter No. 8956001943

Date: 2020-05 Issue No. 02


Impact Wrench

Valid from Serial No. A00001 to Z99999

Model:

RC2203



	⚠ WARNING
	<p>To reduce risk of injury, everyone using, installing, repairing, maintaining, changing accessories on, or working near this tool MUST read and understand these instructions before performing any such task.</p> <p>DO NOT DISCARD - GIVE TO USER</p>

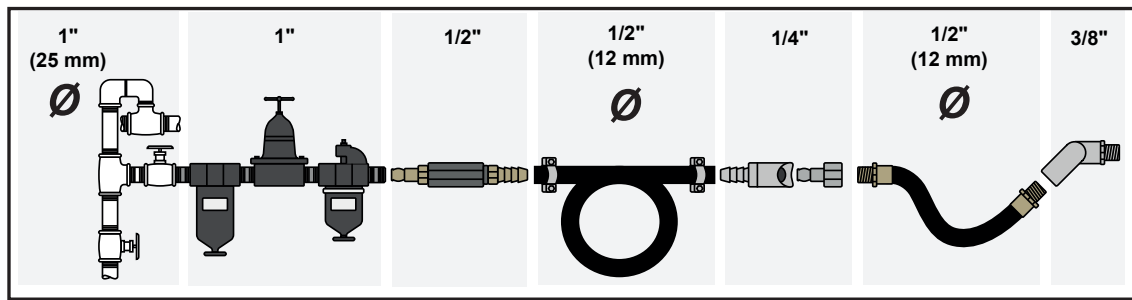
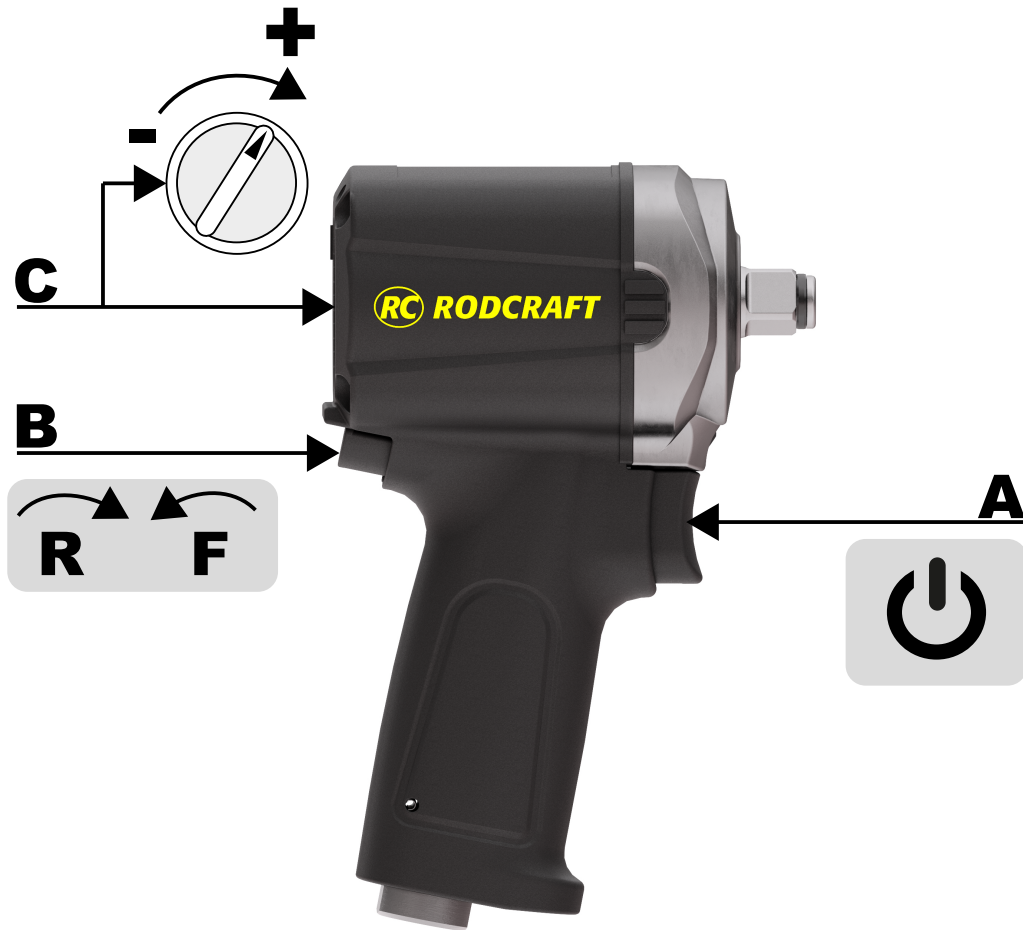


Figure 01

Max. air pressure = 6.3 bar

English	Max. pressure: 6.3bar (90psi)
Deutsch	Max. Betriebsdruck 6,3 bar (90psi)
Français	pression max. 6.3bar (90psi)
Español	presión máx. 6.3bar(90psi)
Italiano	max pressione 6.3 bar (90psi)
Nederlands	max. druk 6,3 bar (90 psi)
русский язык	макс. давление 6,3 бар (90 фунт/кв. дюйм)
Svenska	max. tryck 6,3 bar (90 psi)
Dansk	maks. tryk 6,3 bar (90 psi)
Norsk	maks. trykk 6,3 bar (90 psi)
Suomen kieli	suurin paine 6,3 bar (90 psi)
Português	pressão máx. 6,3 bar (90 psi)
Ελληνικά	μεγ. πίεση 6.3 bar (90 psi)
Polski	maks. ciśnienie 6,3 bara (90 psi)
Česky ; čeština	max. tlak 6,3 bar (90 psi)
Slovenčina	max. tlak 6,3 barov (90 psi)
magyar	max. nyomás: 6,3 bar (90 psi)
Slovenščina	maks. tlak 6.3 bar (90 psi)
Lietuvių kalba	maks. slėgis 6,3 baro (90 psi)
Latviski	maksimālais spiediens 6,3 bāri (90 psi)
Hrvatski	maksimalni tlak 6,3 bara (90 psi)
Română	presiune max. 6.3bar (90psi)
български език	макс. налягане 6.3 bar (90 psi)
Eesti keel	max surve 6,3 bar (90 psi)
Türkçe	maks. basınç 6,3bar (90 psi)
中文	最大压力6.3 bar (90 psi)
한국어	최대 압력 6.3bar(90psi)
日本語	最大圧力 6.3 bar (90 psi)



	RC2203
Air inlet thread size (")	1/4
Average air consumption (l/s)	3.33
Free speed (rpm)	10500
Max. torque (reverse) (Nm)	650
Max. working torque (Nm)	450
Min. working torque (Nm)	90
Square drive (")	1/2
Min. hose size (mm)	10
Height (mm)	180
Width (mm)	66
Length (mm)	115
Weight (kg)	1.1