



# Operator's Manual

Printed Matter No. 8956001776

Date: 2019-07 Issue No. 02

## Ratchet wrench

Valid from Serial No. C00001 to Z99999

Model:

RC3068

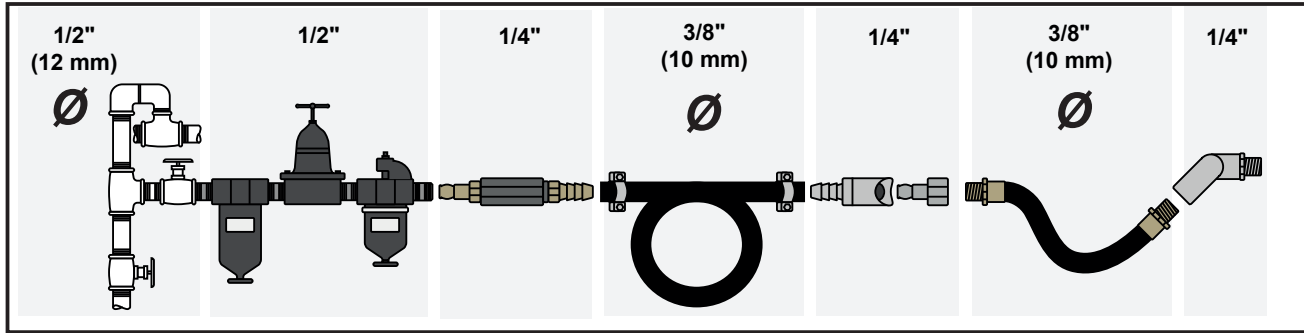
RC3268

RC3278

RC3678



	<b>⚠ WARNING</b>
	<p>To reduce risk of injury, everyone using, installing, repairing, maintaining, changing accessories on, or working near this tool <b>MUST</b> read and understand these instructions before performing any such task.</p> <p><b>DO NOT DISCARD - GIVE TO USER</b></p>



**Fig. 01 : Air Diagram**

	<b>RC3068</b>	<b>RC3268</b>	<b>RC3278</b>	<b>RC3678</b>
Actual air consumption (l/s)	8.5	8.5	12	12
Free speed (rpm)	280	280	190	190
Length (mm)	212	212	260	260
Min. hose size (mm)	10	10	10	10
Max. torque (Nm)	45	50	100	100
Max. working torque (Nm)	30	25	60	60
Air inlet thread size (")	1/4	1/4	1/4	1/4
	BSPP	BSPP	BSPP	BSPP

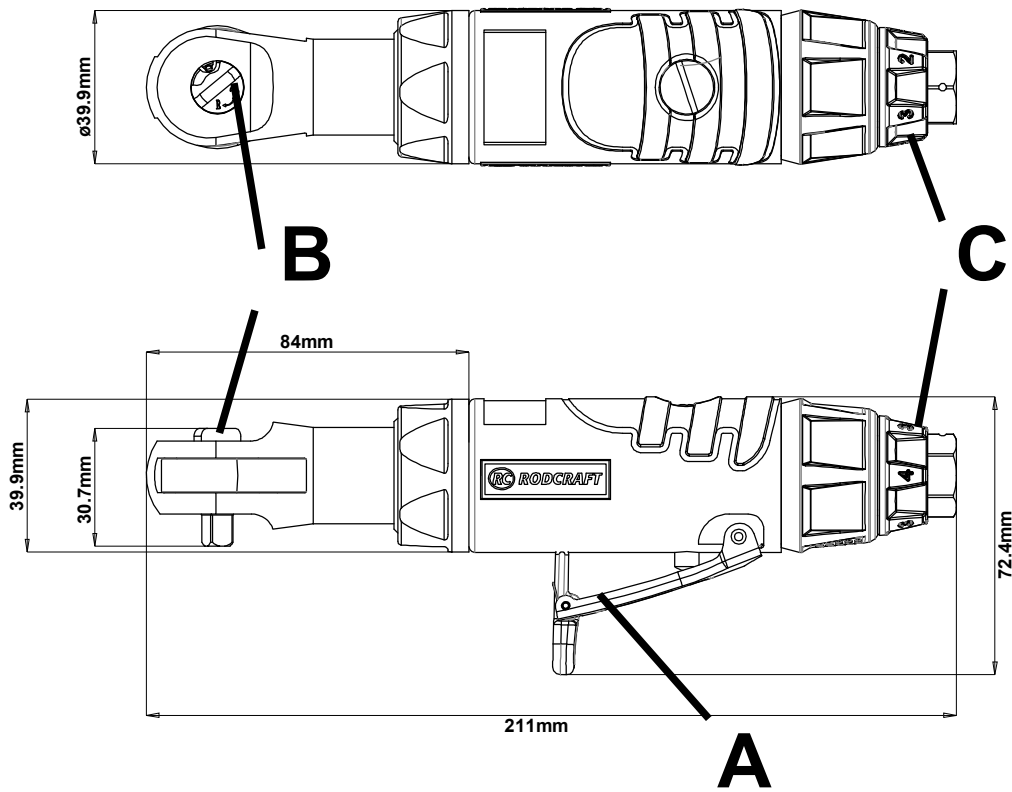


Fig. 02 : RC3068 & RC3268 DIMENSIONS

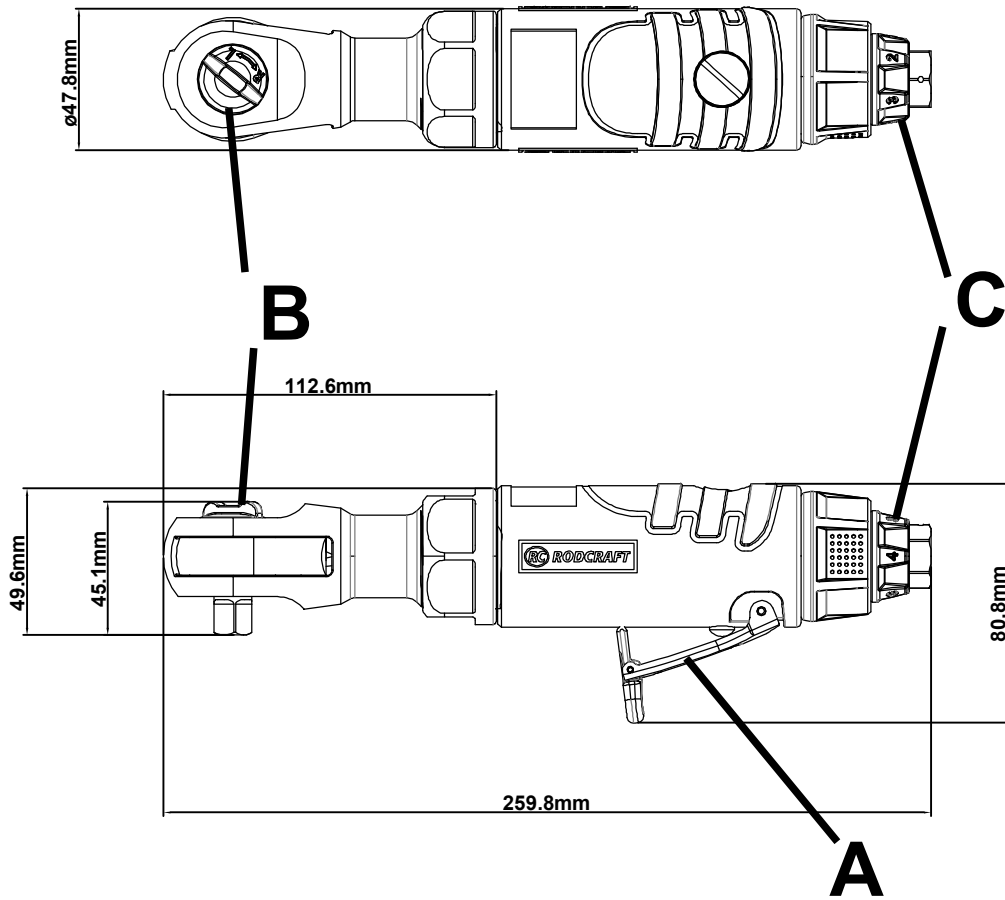


Fig. 03 : RC3278 & RC3678 DIMENSIONS